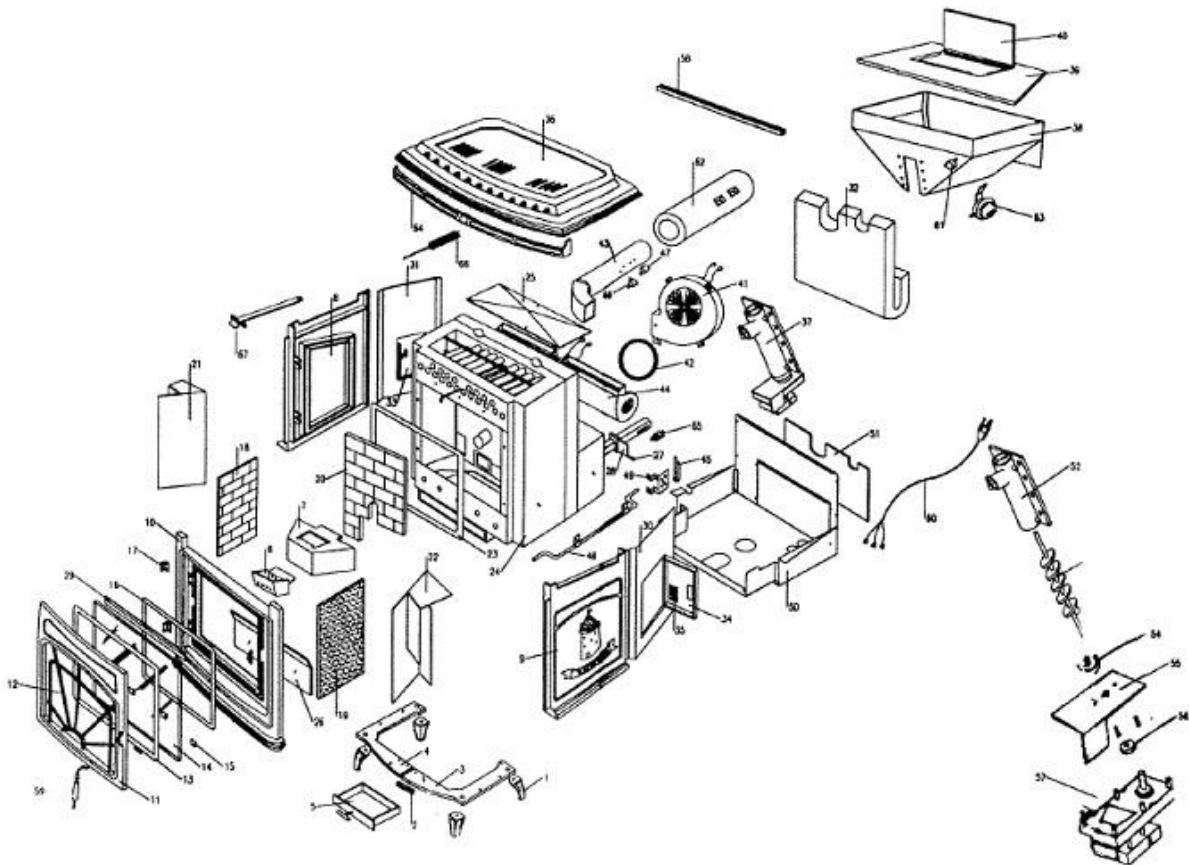


Waterford Emerald DV Pellet Stove



1	LEGS 4	42	COMBUSTION BLOWER GASKET 1
2	BASE FRAME BRACKET 1	43	COMBUSTION BLOWER EXHAUST DUCT 1
3	BASE FRAME RIGHT SECTION 1	44	CONVECTION BLOWER 1
4	BASE FRAME LEFT SECTION 1	45	DOOR SWITCH 1
5	ASH PIT DOOR 1	46	SNAP DISC 95/ 1
6	BURN POT GRATE 1	47	SNAP DISC 165/ 1
7	BURN POT 1	48	DOOR SWITCH ARM 1
8	LEFT HAND SIDE CASTING 1	49	DOOR SWITCH BRACKET 1
9	RIGHT HAND SIDE CASTING 1	50	BOTTOM / BACK PANEL 1
10	FRONT CASTING 1	51	BACK COVER PANEL 1
11	FIRE DOOR CASTING 1	52	AUGER TUBE 1
12	DOOR GRILLE CASTING 1	53	AUGER SPIRAL 1
13	DOOR GLASS GASKET 1	54	AUGER BEARING 1
14	DOOR GLASS 1	55	AUGER MOUNTING BRACKET 1
15	DOOR GLASS CLIPS 3	56	AUGER MOUNTING BUSHING 1
16	DOOR GASKET 1	57	AUGER MOTOR 1
17	DOOR HINGES 2	58	BRACE BAR 1
18	LEFT HAND FIRE BOX LINER 1	59	WOODEN DOOR HANDLE 1
19	RIGHT HAND FIRE BOX LINER 1	60	MAINS POWER CORD 1
20	BACK FIRE BOX LINER 1	61	SNAP DISC 200/ 1
21	LEFT HAND STEEL BAFFLE 1	62	EXHAUST DUST INSULATION 1
22	RIGHT HAND STEEL BAFFLE 1	63	AIR PRESSURE SWITCH 1
23	BURN SYSTEM GASKET 1	64	CONVECTION PATH CASTING 1
24	BURN SYSTEM 1	65	POWER CORD TERMINAL BLOCK 1
25	BURN SYSTEM TOP CLEANING PORT COVER 1	66	CLEANING BRUSH
26	BURN SYSTEM GLASS AIRWASH 1	67	SCRAPER
27	BURN SYSTEM CONTROL KNOB 1		
28	BURN SYSTEM CONTROL LEVER 1		
29	GLASS DUCT PLATE 1		
30	BACK RIGHT HAND SIDE PANEL 1		
31	BACK LEFT HAND SIDE PANEL 1		
32	WHITE INSULATION 1		
33	LEFT HAND SIDE DOOR 1		
34	RIGHT HAND SIDE DOOR 1		
35	CONTROL BOARD(P.C.B.) 1		
36	HOB CASTING 1		
37	AUGER ASSEMBLY 1		
38	HOPPER 1		
39	HOPPER TOP PLATE 1		
40	HOPPER LID 1		
41	COMBUSTION BLOWER 1		